



Similar to figure

Data sheet

Hydraulic data

Maximum operating pressure P_N	10 bar
Min. fluid temperature T_{min}	-10 °C
Max. fluid temperature T_{max}	110 °C

Materials

Pump housing	Grey cast iron
Impeller	PP-GF40
Shaft	Stainless steel
Bearing	Carbon, metal-impregnated

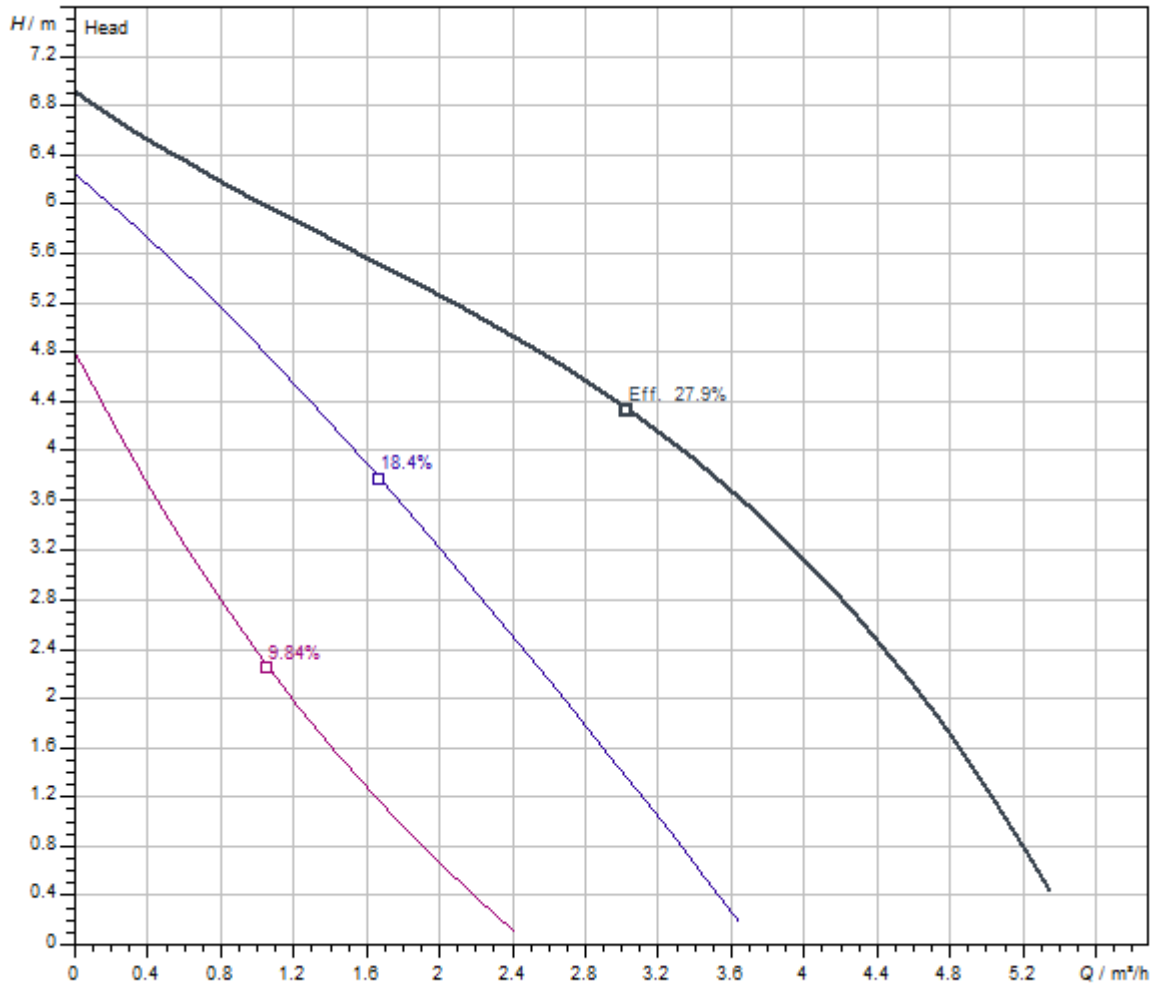
Motor data

Mains connection	1~230 V, 50 Hz
Rated current I_N	0.65 A
Max. speed n_{max}	2797 1/min
Power consumption $P_1(Q=max.)$ of selected impeller * number of pumps P_1	147 W
Interference emission	EN 61000-6-3
Interference immunity	EN 61000-6-2
Protection class motor	IP44

Installation dimensions

Pipe connection on the suction side DN_s	G 2
Port-to-port length L_0	180 mm

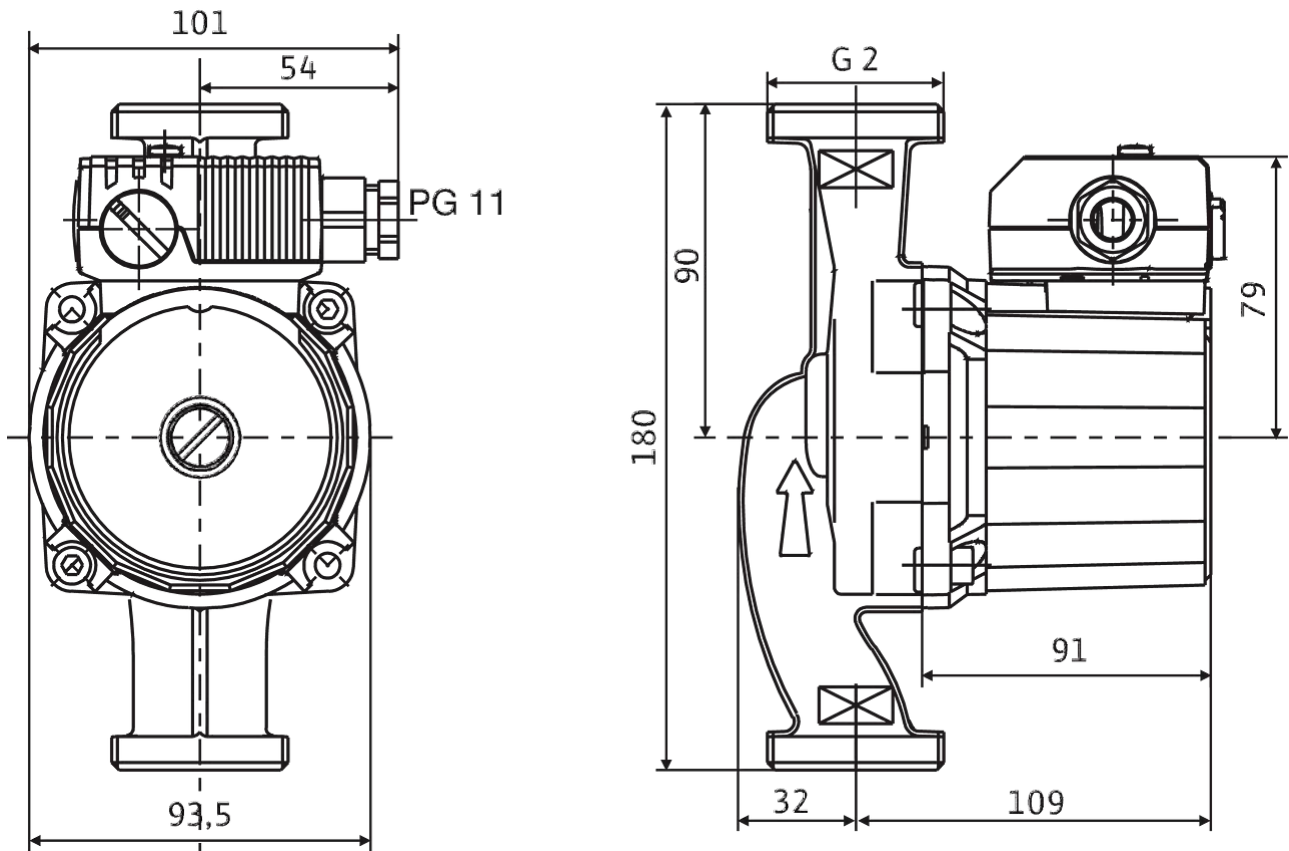
Pump curves



Fluid media	Water 100 %
Fluid temperature T	20.00 °C
speed at duty point n hydr. @ OP	2900 1/min

Dimensions and dimensions drawings

Star-RS 30/7

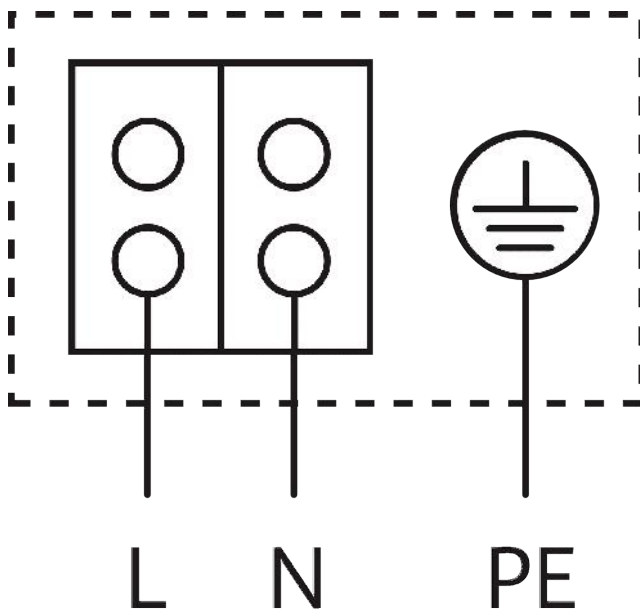


Motor horizontal

Terminal box positions for 3, 6, 9 and 12 o'clock possible

Wiring diagram

Star-E




Blocking current-proof motor

Single-phase motor (EM) 2-pole - 1~230 V, 50 Hz

With built-in capacitor

Ordering information

Product data

Brand	Wilo
Product description	Star-RS 30/7
Article number	4037311 
EAN number	4016322364351
Colour	Green
Minimum order quantity	1
Date of sales availability	2010-01-01

Dimension, weight

Length with packaging	152 mm
Length <i>L</i>	141 mm
Height with packaging	102 mm
Height <i>H</i>	101 mm
Width with packaging	190 mm
Width <i>W</i>	180 mm
Gross weight, approx. <i>m</i>	3 kg
Net weight, approx. <i>m</i>	2.9 kg

Packaging

Number per layer	32
Packaging property	Sales packaging
Packaging type	Cardboard box
Pieces per pallet	256