



Similar to figure

Data sheet

Hydraulic data

Maximum operating pressure P_N	10 bar
Min. fluid temperature T_{min}	-10 °C
Max. fluid temperature T_{max}	110 °C

Materials

Pump housing	Grey cast iron
Impeller	PP-GF40
Shaft	Stainless steel
Bearing	Carbon, metal-impregnated

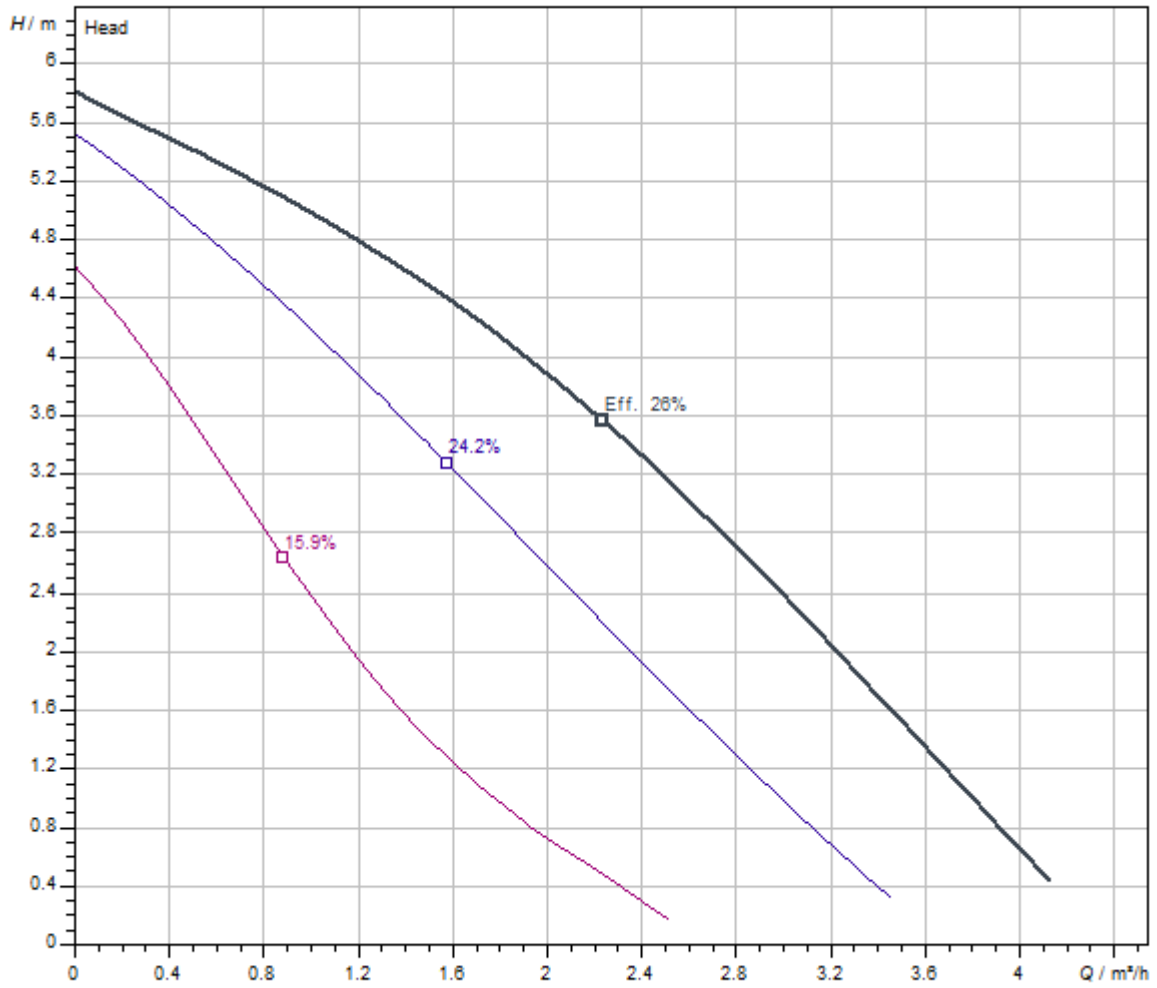
Motor data

Mains connection	1~230 V, 50 Hz
Rated current I_N	0.43 A
Max. speed n_{max}	1900 1/min
Power consumption $P_1(Q=max.)$ of selected impeller * number of pumps P_1	99 W
Interference emission	EN 61000-6-3
Interference immunity	EN 61000-6-2
Protection class motor	IP44

Installation dimensions

Pipe connection on the suction side DN_s	G 1½
Port-to-port length L_0	130 mm

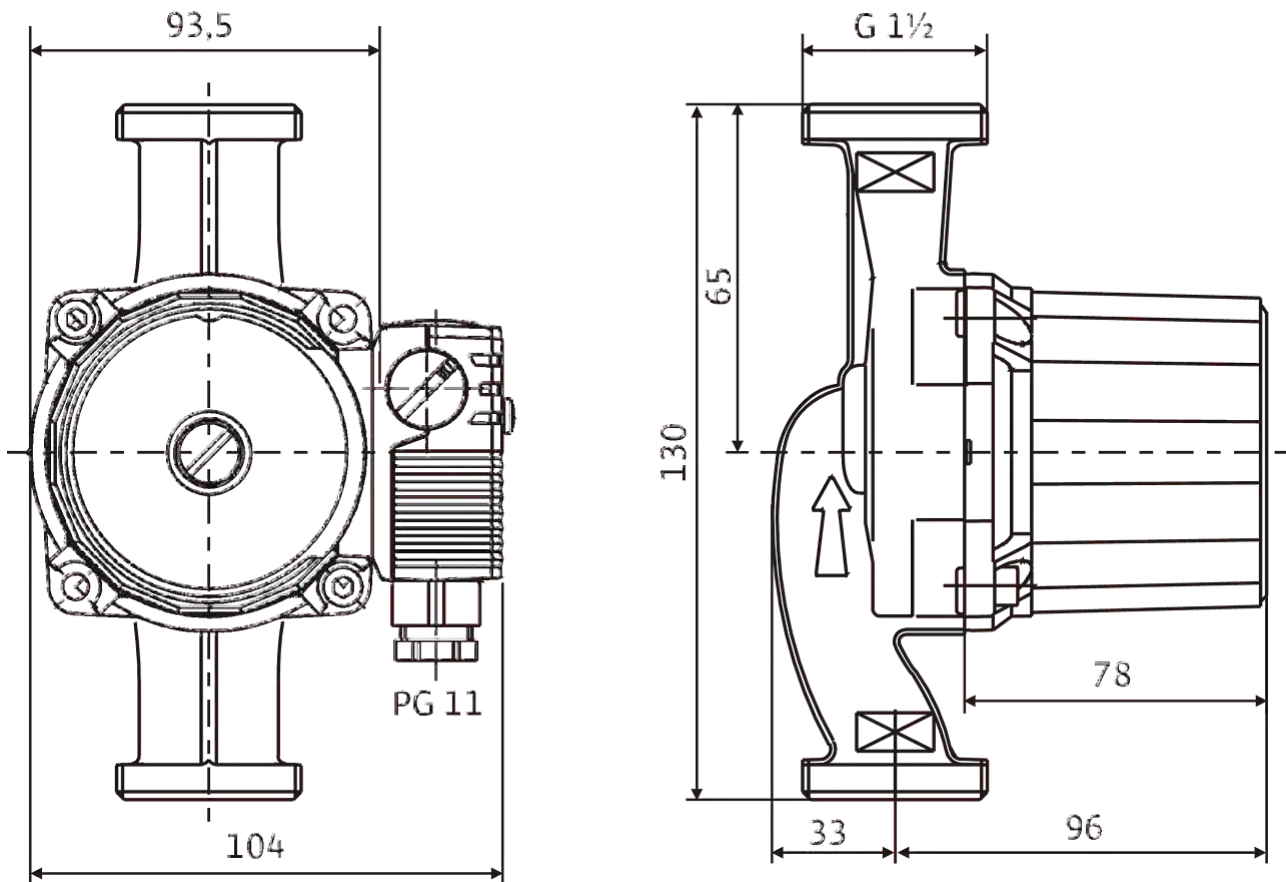
Pump curves



Fluid media	Water 100 %
Fluid temperature <i>T</i>	20.00 °C
speed at duty point <i>n hydr. @ OP</i>	2900 1/min

Dimensions and dimensions drawings

Star-RS



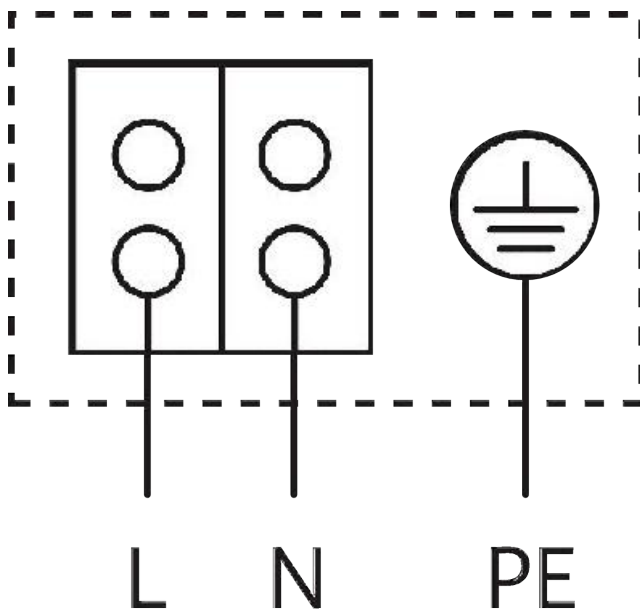
Motor horizontal

Terminal box positions for 3, 6, 9 and 12 o'clock possible

On delivery, terminal box position is at 3 o'clock

Wiring diagram

Star-E




Blocking current-proof motor

Single-phase motor (EM) 2-pole - 1~230 V, 50 Hz

With built-in capacitor

Ordering information

Product data

Brand	Wilo
Product description	Star-RS 25/6-130
Article number	4033782 
EAN number	4016322364269
Colour	Green
Minimum order quantity	1
Date of sales availability	2010-01-01

Dimension, weight

Length with packaging	138 mm
Length <i>L</i>	133 mm
Height with packaging	132 mm
Height <i>H</i>	123 mm
Width with packaging	148 mm
Width <i>W</i>	130 mm
Gross weight, approx. <i>m</i>	2.5 kg
Net weight, approx. <i>m</i>	2.4 kg

Packaging

Number per layer	40
Packaging property	Sales packaging
Packaging type	Cardboard box
Pieces per pallet	280