



Data sheet

Hydraulic data

| | |
|-------------------------------------|------------------------|
| Maximum operating pressure p | 2 bar |
| Discharge port | DN 65/80 |
| Free ball passage of the hydraulics | 65 mm |
| Impeller type | Vortex impeller |
| Max. immersion depth | 20 m |
| Max. delivery head H_{\max} | 18.2 m |
| Max. volume flow Q_{\max} | 65.0 m ³ /h |
| Min. fluid temperature T_{\min} | 3 °C |
| Max. fluid temperature T_{\max} | 40 °C |
| Min. ambient temperature T_{\min} | 3 °C |
| Max. ambient temperature T_{\max} | 40 °C |

Motor data

| | |
|--------------------------------|-----------------------------|
| Motor Identifier | P 13.1-15/EAD1X2-T Ex 3,9kW |
| Mains connection | 3~400 V, 50 Hz |
| Voltage tolerance | ±10 % |
| Rated power P_2 | 3.9 kW |
| Power consumption $P_{1 \max}$ | 4.80 kW |
| Rated current I_N | 8.5 A |
| Starting current I | 55 A |
| Operating mode (immersed) | S1 |
| Operating mode (non-immersed) | S2-30 min |
| Rated speed n | 2879 1/min |
| Power factor $\cos \varphi$ | 0.82 |
| Activation type | Direct On Line (DOL) |
| Number of poles | 2 |
| Max. switching frequency t | 60 1/h |
| Insulation class | F |
| Protection class motor | IP68 |

Cable

| | |
|--------------------------|-----------------------|
| Connection cable length | 10 m |
| Cable type | H07RN-F |
| Cable cross-section | 7G1,5 mm ² |
| Type of connection cable | Detachable |

Equipment/function

| | |
|------------------------------------|----------|
| Mains plug | no |
| Float switch | no |
| Macerator | no |
| Explosion protection type | ATEX |
| Motor protection | Bimetall |
| Motor, leakage detection | yes |
| Sealing chamber, leakage detection | optional |
| Leakage chamber, leakage detection | no |

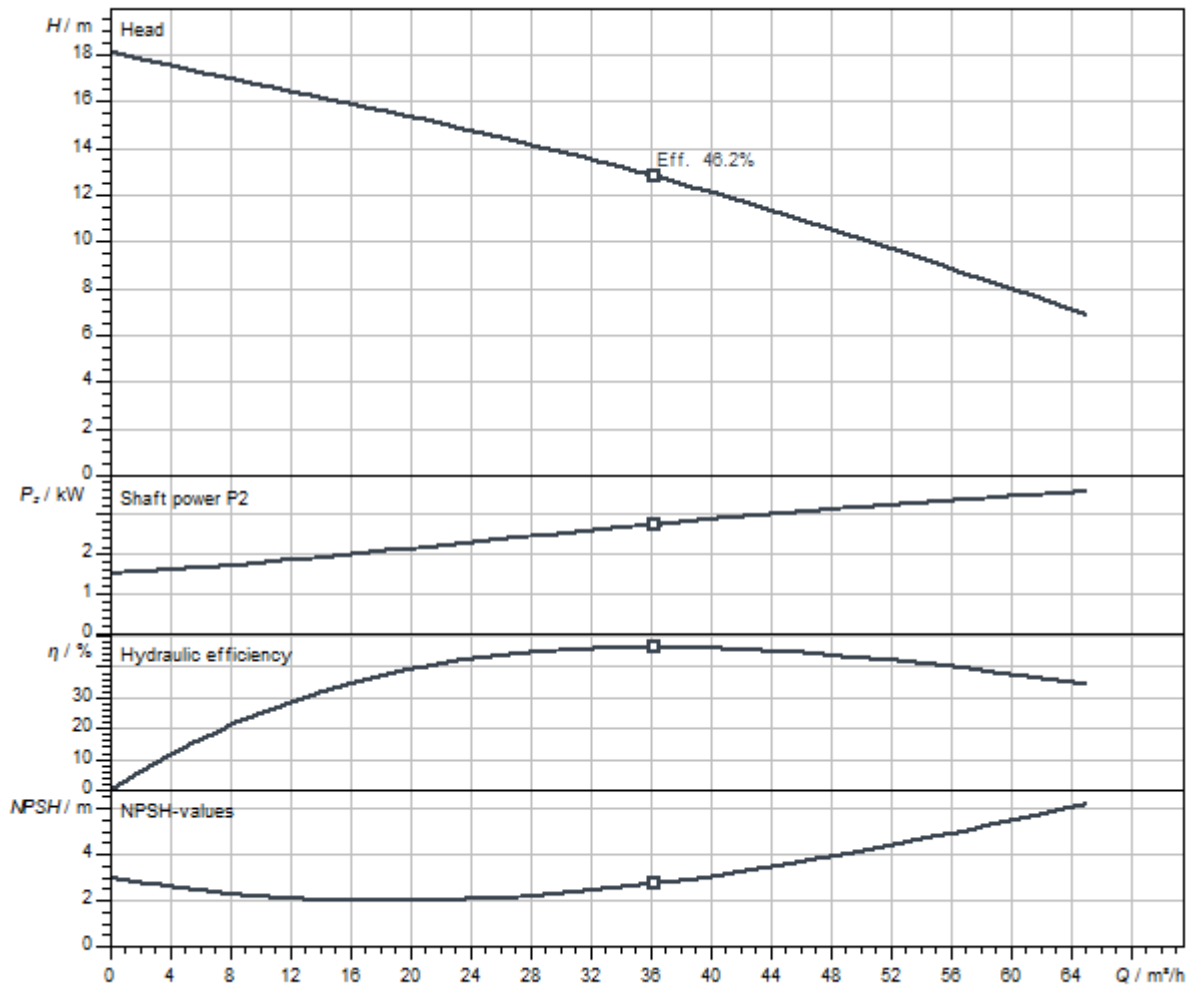
Materials

| | |
|-----------------------|-----------------|
| Pump housing | Grey cast iron |
| Impeller | Grey cast iron |
| Shaft | Stainless steel |
| Sealing on pump side | Silicon carbide |
| Sealing on motor side | NBR |
| Gasket material | NBR |
| Motor housing | Grey cast iron |

Installation dimensions

| | |
|-------------------|----------|
| Inlet connection | DN 65 |
| Outlet connection | DN 65/80 |

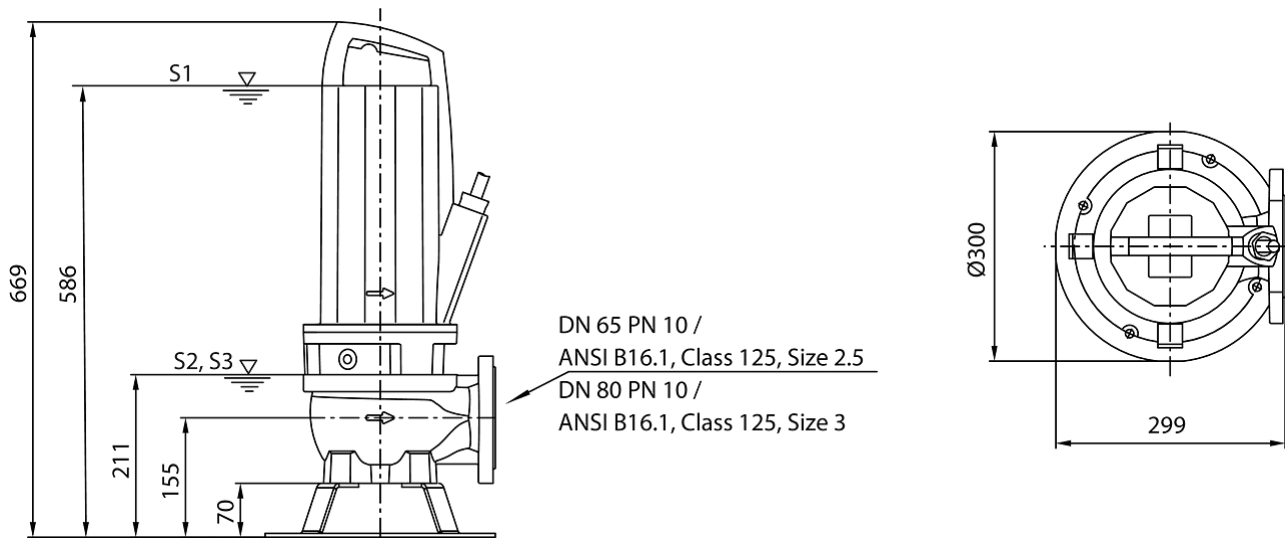
Pump curves



| | |
|--------------------------------------|-------------|
| Fluid media | Water 100 % |
| Fluid temperature T | 20.00 °C |
| speed at duty point $n_{hydr. @ OP}$ | 2900 1/min |
| Impeller diameter $d_{imp.}$ | 123 mm |

Dimensions and dimensions drawings

Wilo-Rexa PRO V06-22.. - portable wet well installation



Ordering information

Product data

| | |
|----------------------------|---------------------------------------|
| Brand | Wilo |
| Product description | Rexa PRO V06DA-222/EAD1X2-T0039-540-O |
| Article number | 6064733 |
| EAN number | 4048482227856 |
| Colour | Green |
| Minimum order quantity | 1 |
| Date of sales availability | 2011-09-01 |

Dimension, weight

| | |
|--------------------------------|--------|
| Length with packaging | 400 mm |
| Length <i>L</i> | 250 mm |
| Height with packaging | 805 mm |
| Height <i>H</i> | 599 mm |
| Width with packaging | 300 mm |
| Width <i>W</i> | 200 mm |
| Gross weight, approx. <i>m</i> | 60 kg |
| Net weight, approx. <i>m</i> | 58 kg |

Packaging

| | |
|--------------------|---------------------|
| Number per layer | 1 |
| Packaging property | Transport packaging |
| Packaging type | Cardboard box |
| Pieces per pallet | 1 |