



## Data sheet

### Hydraulic data

Minimum efficiency index (MEI)	0.7
Maximum inlet pressure $p_{inl}$	6 bar
Maximum operating pressure $PN$	16 bar
Discharge port	G 1¼
Min. fluid temperature $T_{min}$	-20 °C
Max. fluid temperature $T_{max}$	120 °C
Min. ambient temperature $T_{min}$	-15 °C
Max. ambient temperature $T_{max}$	50 °C

### Motor data

Mains connection	3~400 V, 50 Hz
Voltage tolerance	±10 %
Rated power $P_2$	4.2 kW
Motor efficiency class	IE3
Rated current $I_N$	7.8 A
Rated speed $n$	2900 1/min
Power consumption $P_{1max}$	5540 W
Motor efficiency $\eta_M$ 50%	88.2 %
Motor efficiency $\eta_M$ 75%	88.8 %
Motor efficiency $\eta_M$ 100%	88.3 %
Insulation class	F
Protection class motor	IP55

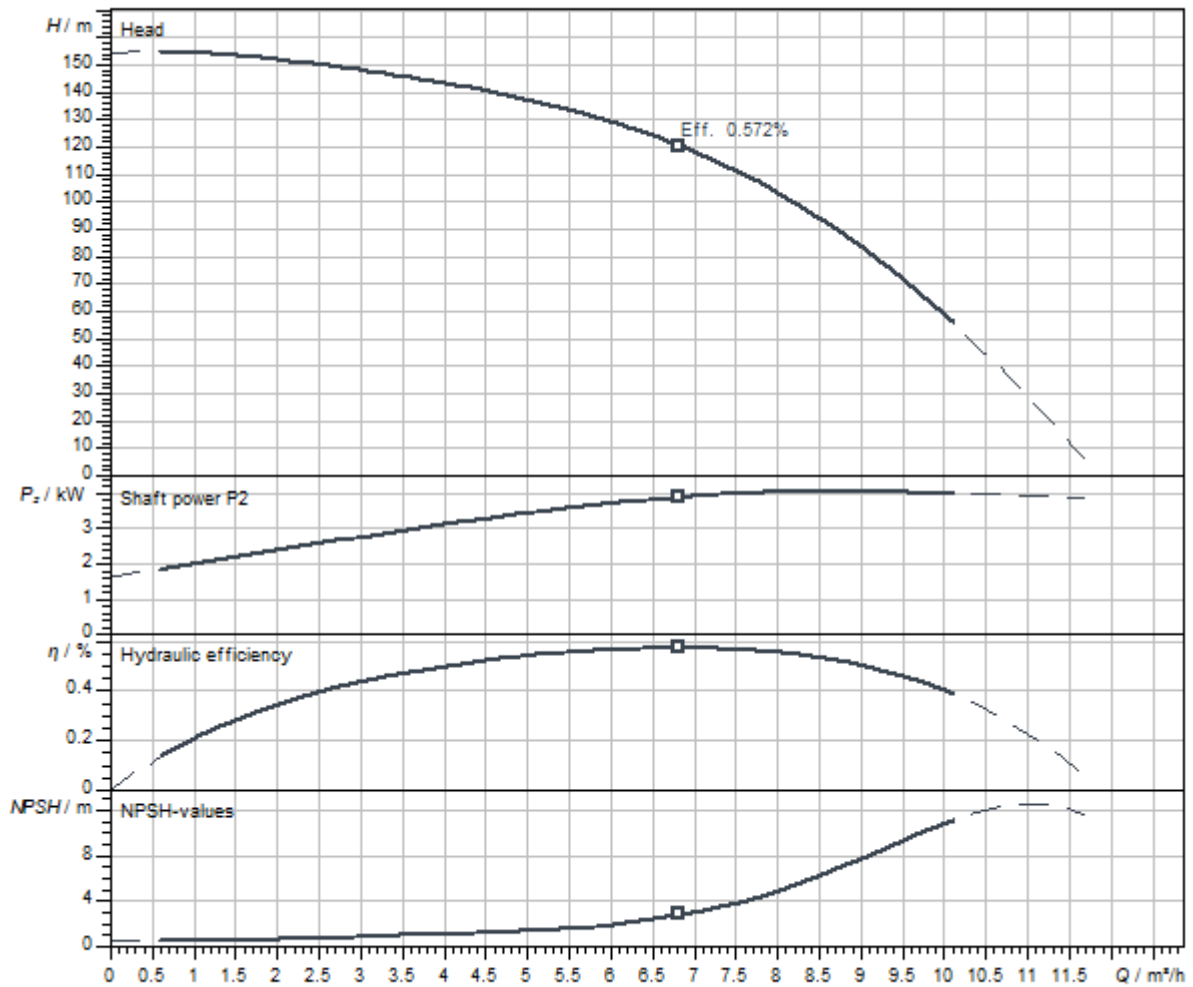
### Materials

Pump housing	Stainless steel
Impeller	Stainless steel
Shaft	Stainless steel
Mechanical seal	BQ1EGG
Gasket material	EPDM

### Installation dimensions

Pipe connection on the suction side $DN_s$	G 1¼
Pipe connection on the discharge side $DN_d$	G 1¼

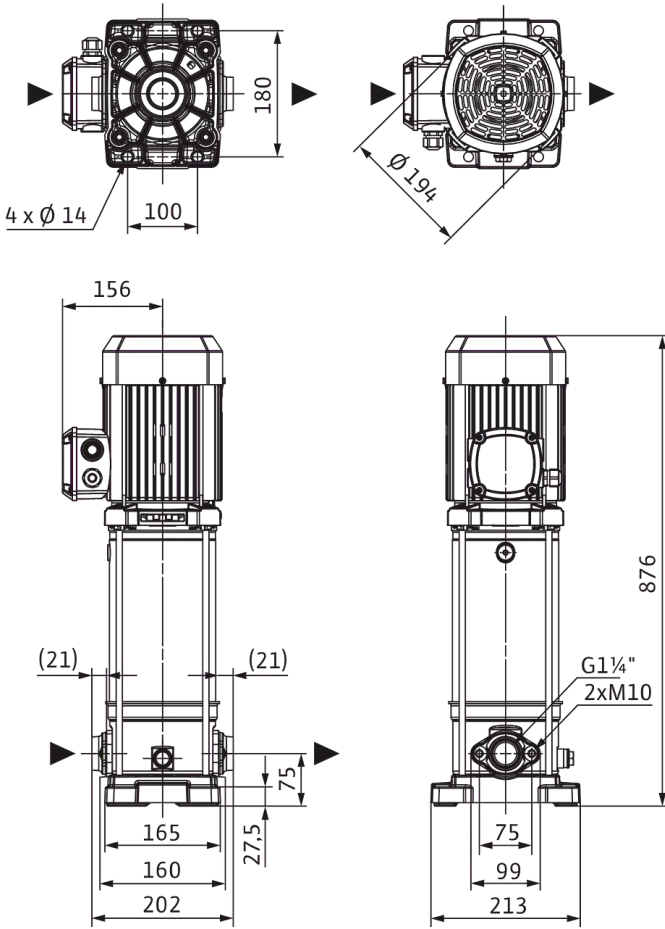
Pump curves



Fluid media	Water 100 %
Fluid temperature T	20.00 °C
speed at duty point <i>n hydr. @ OP</i>	2900 1/min

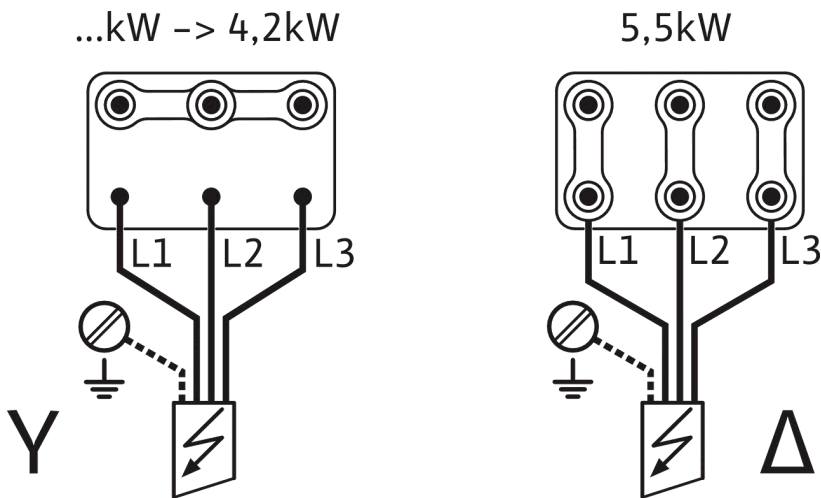
Dimensions and dimensions drawings

Medana CV1-L.613-1/E/E/160



### Wiring diagram

3~ 400 V, 50 Hz, 3~ 380-460 V, 60 Hz



~ 3 400V 50Hz / ~ 3 380-460V 60Hz

### Ordering information

#### Product data

Brand	Wilo
Product description	Medana CV1-L.613-1/E/E/160
Article number	<a href="#">4239888</a>
EAN number	4062679032566
Colour	Green/black/silver
Minimum order quantity	1
Date of sales availability	2021-09-01

#### Dimension, weight

Length with packaging	1200 mm
Length <i>L</i>	202 mm
Height with packaging	400 mm
Height <i>H</i>	876 mm
Width with packaging	400 mm
Width <i>W</i>	213 mm
Gross weight, approx. <i>m</i>	45.8 kg
Net weight, approx. <i>m</i>	43.8 kg

#### Packaging

Number per layer	1
Packaging property	Transport packaging
Packaging type	One-way pallet
Pieces per pallet	1