



Data sheet

Hydraulic data

Minimum efficiency index (MEI)	0.7
Maximum inlet pressure p_{inl}	6 bar
Maximum operating pressure PN	10 bar
Discharge port	G 1¼
Min. fluid temperature T_{min}	-20 °C
Max. fluid temperature T_{max}	120 °C
Min. ambient temperature T_{min}	-15 °C
Max. ambient temperature T_{max}	50 °C

Motor data

Mains connection	3~400 V, 50 Hz
Voltage tolerance	±10 %
Rated power P_2	1.5 kW
Motor efficiency class	IE3
Rated current I_N	3.3 A
Rated speed n	2900 1/min
Power consumption P_{1max}	1900 W
Activation type	Direct On Line (DOL)
Motor efficiency η_M 50%	83.3 %
Motor efficiency η_M 75%	84.5 %
Motor efficiency η_M 100%	84.2 %
Insulation class	F
Protection class motor	IP55

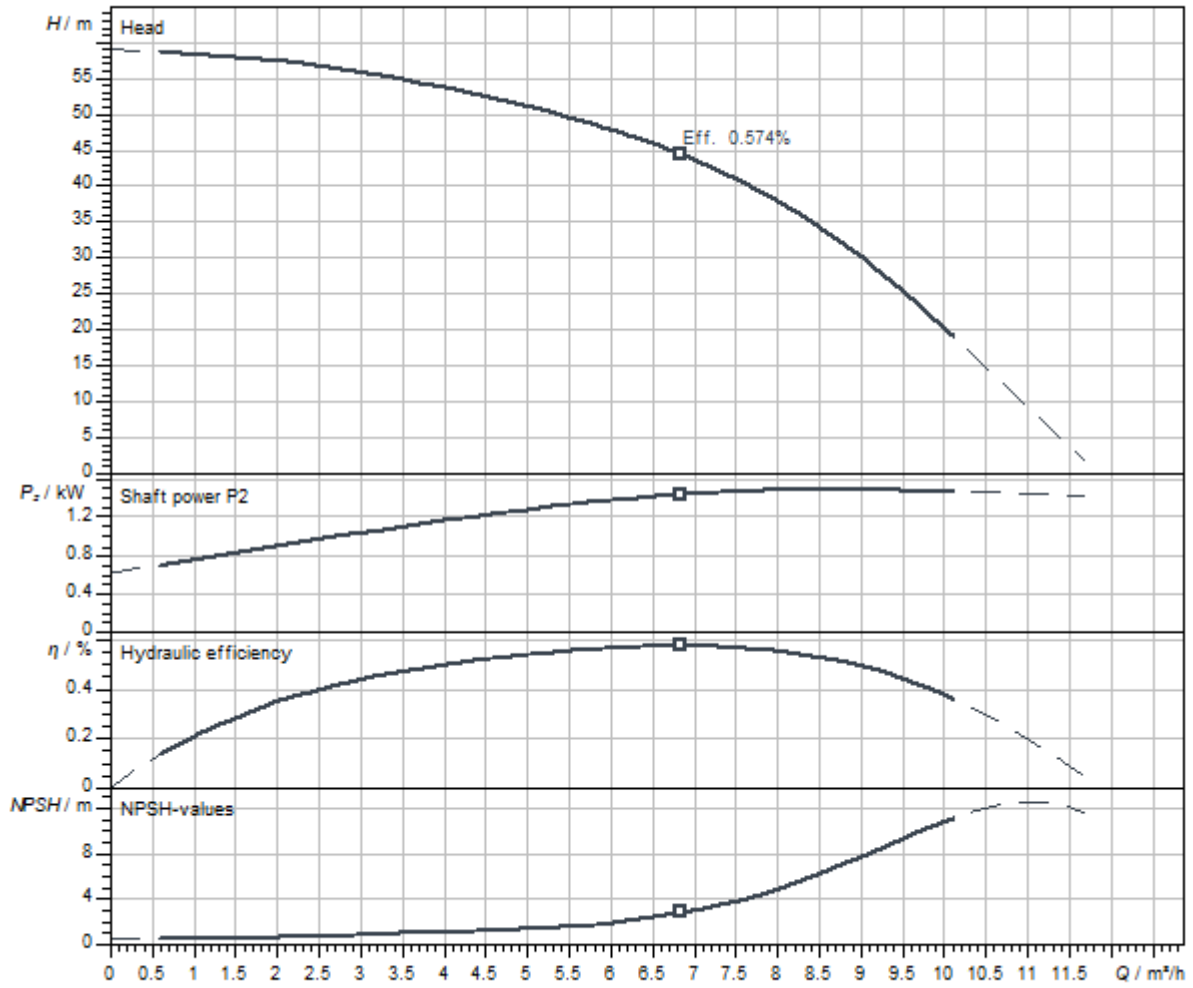
Materials

Pump housing	Stainless steel
Impeller	Stainless steel
Shaft	Stainless steel
Mechanical seal	BQ1EGG
Gasket material	EPDM

Installation dimensions

Pipe connection on the suction side DN_s	G 1¼
Pipe connection on the discharge side DN_d	G 1¼

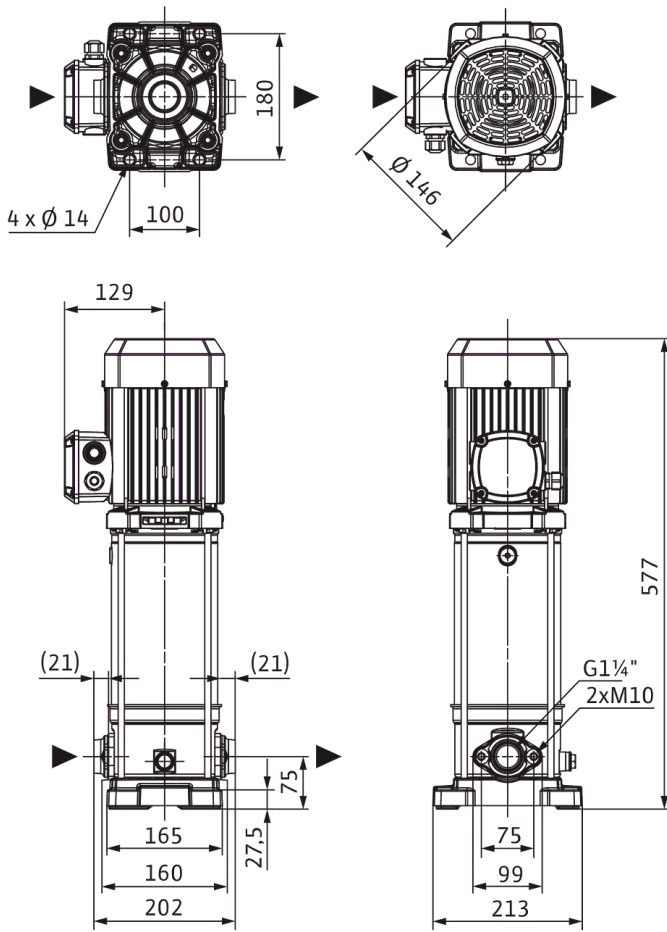
Pump curves



Fluid media	Water 100 %
Fluid temperature T	20.00 °C
speed at duty point <i>n hydr. @ OP</i>	2900 1/min

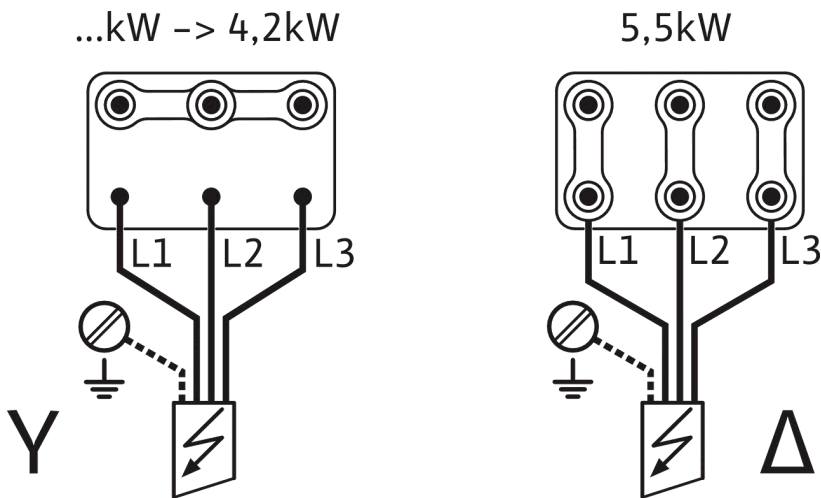
Dimensions and dimensions drawings

Medana CV1-L.605-1/E/E/100



Wiring diagram

3~ 400 V, 50 Hz, 3~ 380-460 V, 60 Hz



~ 3 400V 50Hz / ~ 3 380-460V 60Hz

Ordering information

Product data

Brand	Wilo
Product description	Medana CV1-L.605-1/E/E/100
Article number	4240513
EAN number	4062679047249
Colour	Green/black/silver
Minimum order quantity	1
Date of sales availability	2021-04-01

Dimension, weight

Length with packaging	800 mm
Length <i>L</i>	202 mm
Height with packaging	400 mm
Height <i>H</i>	577 mm
Width with packaging	400 mm
Width <i>W</i>	213 mm
Gross weight, approx. <i>m</i>	26.6 kg
Net weight, approx. <i>m</i>	24.6 kg

Packaging

Number per layer	1
Packaging property	Transport packaging
Packaging type	One-way pallet
Pieces per pallet	1