



Data sheet

Hydraulic data

Minimum efficiency index (MEI)	0.7
Maximum inlet pressure p_{inl}	6 bar
Maximum operating pressure P_N	16 bar
Discharge port	G 1½
Min. fluid temperature T_{min}	-20 °C
Max. fluid temperature T_{max}	120 °C
Min. ambient temperature T_{min}	-15 °C
Max. ambient temperature T_{max}	50 °C

Motor data

Mains connection	3~400 V, 50 Hz
Voltage tolerance	±10 %
Rated power P_2	4.2 kW
Motor efficiency class	IE3
Rated current I_N	7.8 A
Rated speed n	2900 1/min
Power consumption $P_{1 max}$	5540 W
Motor efficiency η_M 50%	88.2 %
Motor efficiency η_M 75%	88.8 %
Motor efficiency η_M 100%	88.3 %
Insulation class	F
Protection class motor	IP55

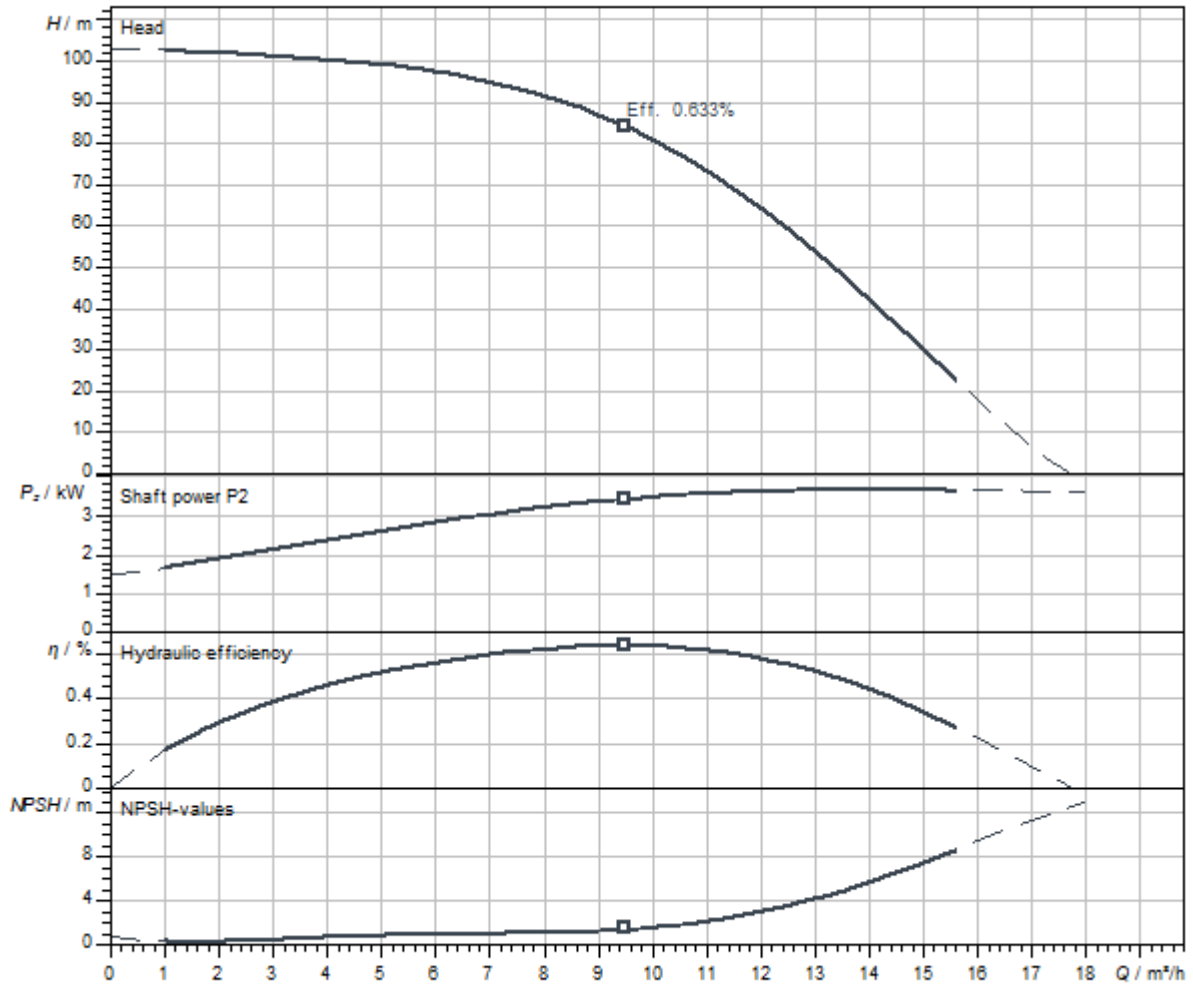
Materials

Pump housing	Stainless steel
Impeller	Stainless steel
Shaft	Stainless steel
Mechanical seal	BQ1EGG
Gasket material	EPDM

Installation dimensions

Pipe connection on the suction side DN_s	G 1½
Pipe connection on the discharge side DN_d	G 1½

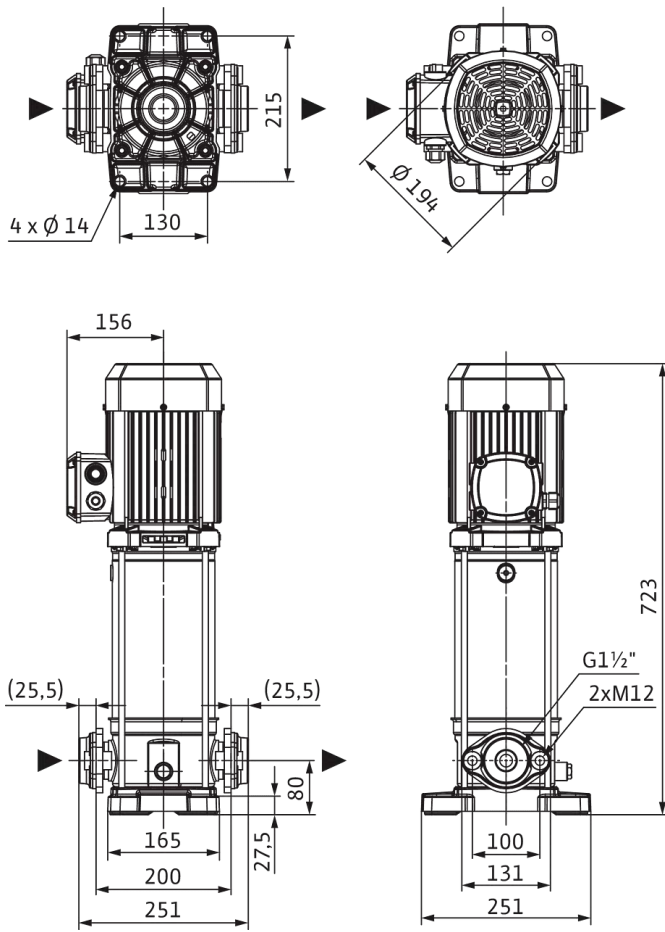
Pump curves



Fluid media	Water 100 %
Fluid temperature <i>T</i>	20.00 °C
speed at duty point <i>n hydr. @ OP</i>	2900 1/min

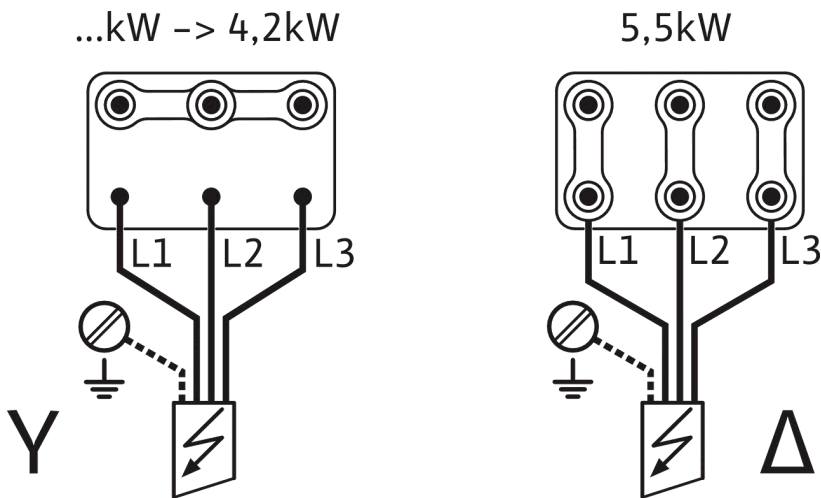
Dimensions and dimensions drawings

Medana CV1-L.1008-1/E/E/160



Wiring diagram

3~ 400 V, 50 Hz, 3~ 380-460 V, 60 Hz



~ 3 400V 50Hz / ~ 3 380-460V 60Hz

Ordering information

Product data

Brand	Wilo
Product description	Medana CV1-L.1008-1/E/E/160
Article number	4240528
EAN number	4062679047393
Colour	Green/black/silver
Minimum order quantity	1
Date of sales availability	2021-09-01

Dimension, weight

Length with packaging	1200 mm
Length <i>L</i>	251 mm
Height with packaging	400 mm
Height <i>H</i>	723 mm
Width with packaging	400 mm
Width <i>W</i>	251 mm
Gross weight, approx. <i>m</i>	42.6 kg
Net weight, approx. <i>m</i>	40.6 kg

Packaging

Number per layer	1
Packaging property	Transport packaging
Packaging type	One-way pallet
Pieces per pallet	1