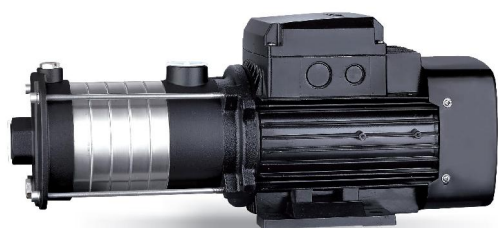


ECH4 Horizontal multistage stainless steel pump



ECH

Application

- Water supply for tall buildings, pumping stations, overpressure
- Washing stations, heating water circulation, air conditioning water circulation, water treatment systems
- Ultrafiltration, reverse osmosis, distillation systems, municipal swimming pools
- Irrigation: sprinkling, drip
- Industry
- Fire fighting systems

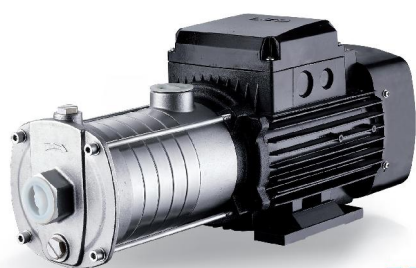
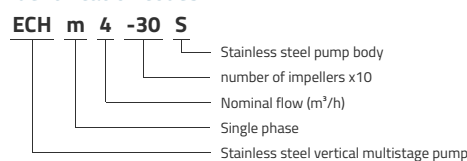
Pompe

- Stainless steel shaft
- Max liquid temperature: +85°C
- Max suction height: 8 m
- Maximum operating pressure: 5.5 bars
- pH between 4 and 10

Moteur

- IE3 motor
- Protection class: IP55
- Insulation class: F
- Maximum ambient temperature: +40°
- Integrated thermal protection for single-phase versions
- Altitude: up to 1000 m

Identification codes

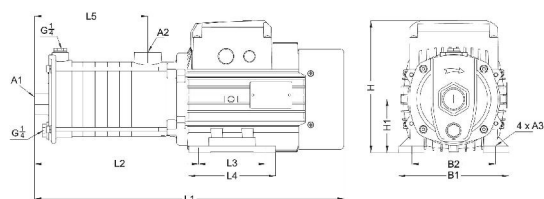


ECHS

Technical data

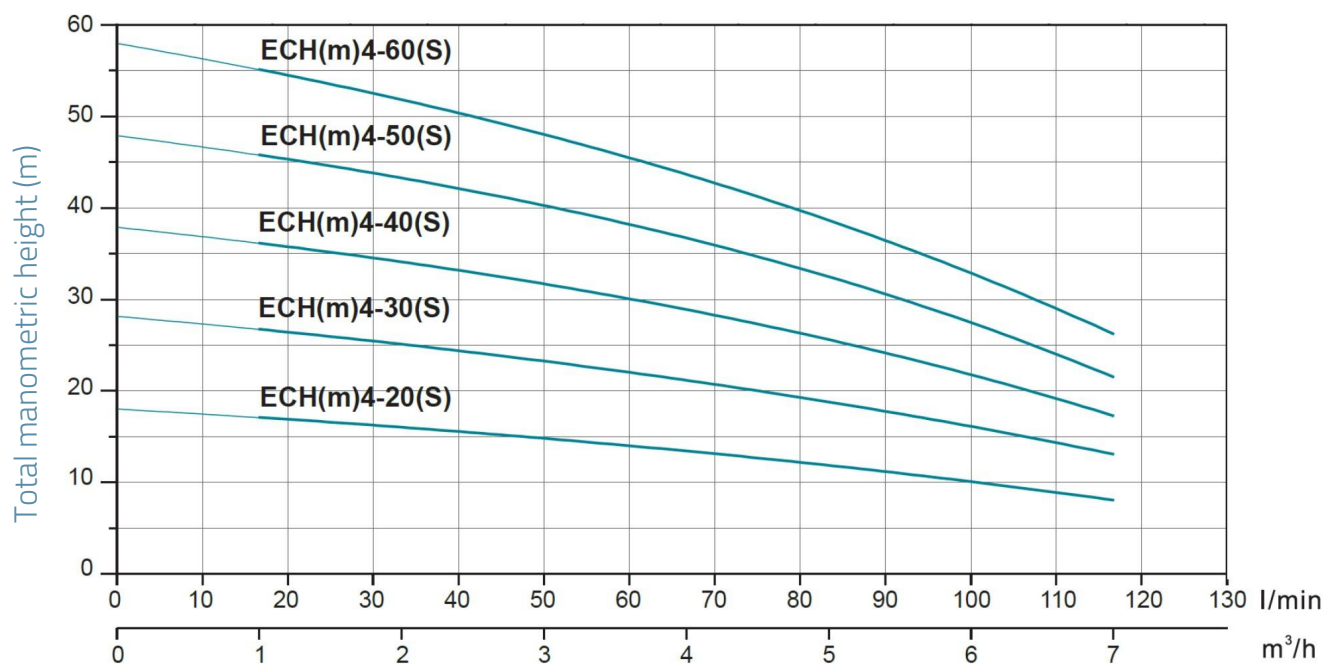
MODEL	kW	Q (m ³ /h)	1	2	3	4	5	6	7
		Q (l/min)	17	33	50	67	83	100	117
ECHm4-20	0.55		17	16	15	13	12	10	8
ECH4-20	0.55		17	16	15	13	12	10	8
ECHm4-20S	0.55		17	16	15	13	12	10	8
ECH4-20S	0.55		17	16	15	13	12	10	8
ECHm4-30	0.55		27	25	23	21	19	16	13
ECH4-30	0.55		27	25	23	21	19	16	13
ECHm4-30S	0.55		27	25	23	21	19	16	13
ECH4-30S	0.55		27	25	23	21	19	16	13
ECHm4-40	0.75		36	34	32	28	26	22	17
ECH4-40	0.75		36	34	32	28	26	22	17
ECHm4-40S	0.75		36	34	32	28	26	22	17
ECH4-40S	0.75		36	34	32	28	26	22	17
ECHm4-50	1.1		46	43	40	36	33	28	21
ECH4-50	1.1		46	43	40	36	33	28	21
ECHm4-50S	1.1		46	43	40	36	33	28	21
ECH4-50S	1.1		46	43	40	36	33	28	21
ECHm4-60	1.1		55	52	48	43	39	33	26
ECH4-60	1.1		55	52	48	43	39	33	26
ECHm4-60S	1.1		55	52	48	43	39	33	26
ECH4-60S	1.1		55	52	48	43	39	33	26

Dimensions



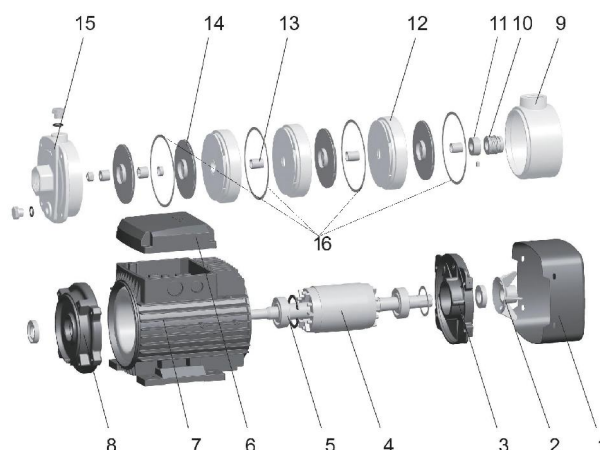
MODEL	L1	L2	L3	L4	L5	B1	B2	H	H1	A1	A2	A3
ECHm4-20	354	175.5	90	110	108.5	137	109	176.5	71	1 1/2	1	7
ECH4-20	354	175.5	90	110	108.5	137	109	176.5	71	1 1/2	1	7
ECHm4-20S	354	175.5	90	110	108.5	137	109	176.5	71	1 1/2	1	7
ECH4-20S	354	175.5	90	110	108.5	137	109	176.5	71	1 1/2	1	7
ECHm4-30	381.5	203	90	110	136	137	109	176.5	71	1 1/2	1	7
ECH4-30	381.5	203	90	110	136	137	109	176.5	71	1 1/2	1	7
ECHm4-30S	381.5	203	90	110	136	137	109	176.5	71	1 1/2	1	7
ECH4-30S	381.5	203	90	110	136	137	109	176.5	71	1 1/2	1	7
ECHm4-40	408.5	230	90	110	163	137	109	176.5	71	1 1/2	1	7
ECH4-40	408.5	230	90	110	163	137	109	176.5	71	1 1/2	1	7
ECHm4-40S	408.5	230	90	110	163	137	109	176.5	71	1 1/2	1	7
ECH4-40S	408.5	230	90	110	163	137	109	176.5	71	1 1/2	1	7
ECHm4-50	484	266	100	130	190	165	125	204.5	71	1 1/2	1	10
ECH4-50	484	266	100	130	190	165	125	204.5	71	1 1/2	1	10
ECHm4-50S	484	266	100	130	190	165	125	204.5	71	1 1/2	1	10
ECH4-50S	484	266	100	130	190	165	125	204.5	71	1 1/2	1	10
ECHm4-60	511.5	293.5	100	130	217.5	165	125	204.5	71	1 1/2	1	10
ECH4-60	511.5	293.5	100	130	217.5	165	125	204.5	71	1 1/2	1	10
ECHm4-60S	511.5	293.5	100	130	217.5	165	125	204.5	71	1 1/2	1	10
ECH4-60S	511.5	293.5	100	130	217.5	165	125	204.5	71	1 1/2	1	10

Hydraulic performance



Exploded view

No.	Type	Materials
1	Fan cover	08F steel
2	Fan	polypropylene
3	Rear cover	cast aluminum ZL102
4	Rotor	
5	Bearing	
6	Electric box cover	cast aluminum ZL102
7	Stator	
8	Lantern	cast iron HT200
9	Outlet diffuser	stainless steel AISI 304 / cast iron HT200
10	Mechanical seal	silicon carbide / graphite
11	Shim	AISI 304 stainless steel
12	Diffuser	AISI 304 stainless steel
13	Bearing	PolyTetraFluoroEthylene
14	Impeller	AISI 304 stainless steel
15	Front cover	stainless steel AISI 304 / cast iron HT200



Packaging

MODEL	Weight (kg)	Length L (mm)	Width W (mm)	Height H (mm)
ECHm4-20	13.1	420	215	243
ECH4-20	13.1	420	215	243
ECHm4-20S	13.1	420	215	243
ECH4-20S	13.1	420	215	243
ECHm4-30	13.6	420	215	243
ECH4-30	13.6	420	215	243
ECHm4-30S	13.6	420	215	243
ECH4-30S	13.6	420	215	243
ECHm4-40	14.7	455	215	243
ECH4-40	14.7	455	215	243
ECHm4-40S	14.7	455	215	243
ECH4-40S	14.7	455	215	243
ECHm4-50	21.5	548	235	268
ECH4-50	21.5	548	235	268
ECHm4-50S	21.5	548	235	268
ECH4-50S	21.5	548	235	268
ECHm4-60	22	548	235	268
ECH4-60	22	548	235	268
ECHm4-60S	22	548	235	268
ECH4-60S	22	548	235	268

